

NEXT HYBRID™ WATER HEATER

NEXT Hybrid™ is the new milestone in water heating-built for the way people ACTUALLY live and use hot water. It combines the best features of tankless and conventional technologies to create a new category of water heating.

QUALIFIES FOR 2010 FEDERAL TAX CREDIT UP TO \$1,500

ENERGY EFFICIENCY

- Patented circulation system delivers 90% thermal efficiency, ensuring maximum heat transfer, saving money on operating costs compared to a standard 80% efficient conventional gas water heater.
- Condensing design includes condensate drain trap

HYBRID TECHNOLOGY

- Innovative technology that surpasses existing conventional and tankless designs
- Patented water flow circulation system provides the performance of a tankless unit with extremely quick recovery
- Delivers 189 gallons of hot water per hour
- Smaller than a conventional 50 gallon gas water heater, but with twice the hot water delivery
- Whole-home solution regardless of geography

IMPROVED HOT WATER DELIVERY

- Continuous hot water shower after shower when properly sized for your home
- No minimum flow rate for ignition
- No cold water sandwich
- Delivers hot water quicker than tankless
- Internal storage easily handles peak demand

SOPHISTICATED ELECTRONICS

- User-friendly integrated temperature controller with LED numeric display allows for precise temperature settings
- Multiple Lifestyle Modes - Energy Saver, Vacation and Boost modes allow for simple one-touch customization based on specific hot water needs
- Safety lock feature deters unwanted access
- Error code display for easy troubleshooting

LOWER INSTALLATION COSTS

- Utilizes 1/2" gas line standard in most homes today
- Extremely low exhaust temperature enables PVC venting for easier, more economical installations
- Less expensive venting material versus stainless steel venting used with most tankless models
- Hot and cold water connections similar to conventional tank-style models

POWER VENT DESIGN

- Uses inexpensive PVC, CPVC or ABS pipe for exhaust. Canadian installations require ULCS636 listed PVC or CPVC pipe for intake and exhaust.
- Can be vented vertically thru-the-roof or horizontally thru-the-wall
- 2" pipe vents up to 50 equivalent feet
- 3" pipe vents up to 100 equivalent feet

SIX YEAR LIMITED WARRANTY ON HEAT EXCHANGER, TANK AND PARTS

- For complete warranty details, consult written warranty shipped with water heater or contact A. O. Smith Water Products Company.

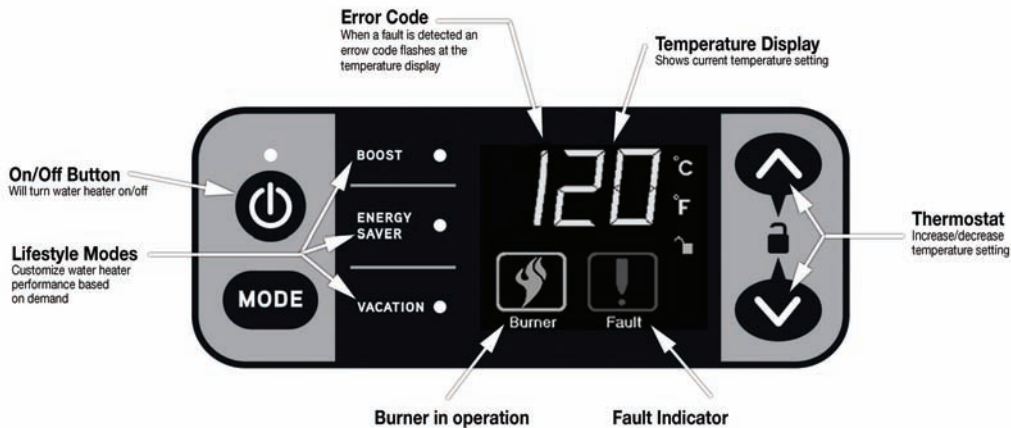
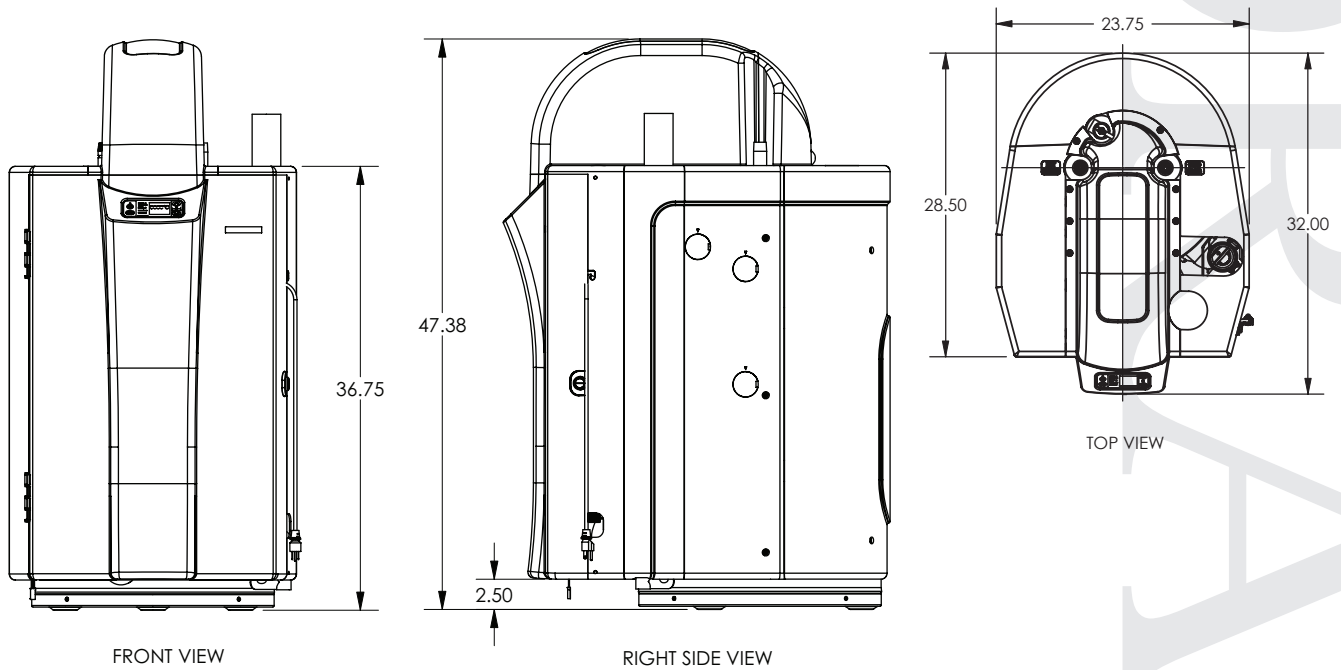




Residential Gas Hybrid Water Heater

MODEL	INPUT	MANIFOLD PRESSURE			ELECTRICAL CHARACTERISTICS	
	BTU/HR	GAS TYPE	IN. WC	kPA	VOLTS/HZ	AMPERES
HYB-90N	100,000	NAT	4.2	1.05	120/60	2.5

This gas-fired water heater is design certified by CSA International under American National Standard/CSA Standard for Gas Water Heaters ANSI Z21.10.3 • CSA 4.3 (current edition).



For Technical Information and Automated Fax Service, call 800-527-1953. A. O. Smith reserves the right to make product changes or improvements without prior notice.